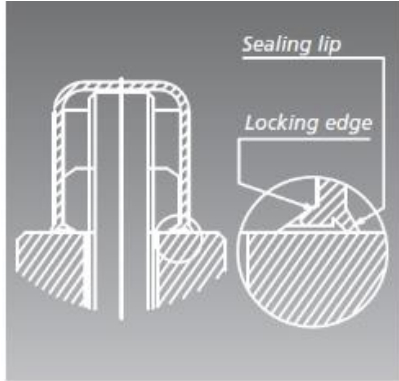
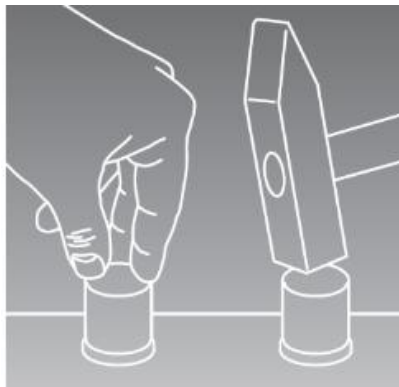


## Radloid® Nut Cap Installation Instruction



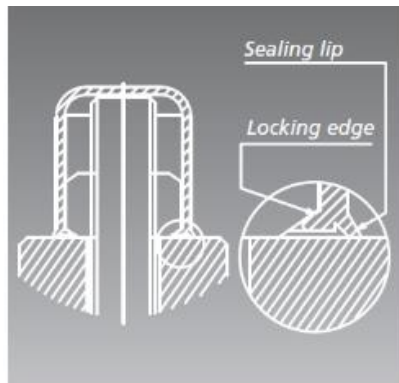
Caps must be secured onto head of bolt or nut fitting flush with the surface of the flange or substrate



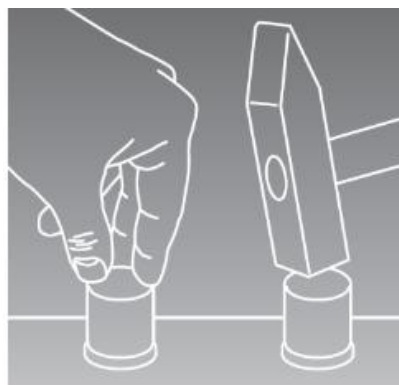
Caps may be reinstalled after initial installation. Kleergel® Corrosion Inhibitor Grease must be applied for maximum corrosion protection.

Rev 011022

## Radloid® Nut Cap Installation Instruction



Caps must be secured onto head of bolt or nut fitting flush with the surface of the flange or substrate



Caps may be reinstalled after initial installation. Kleergel® Corrosion Inhibitor Grease must be applied for maximum corrosion protection.

Rev 011022