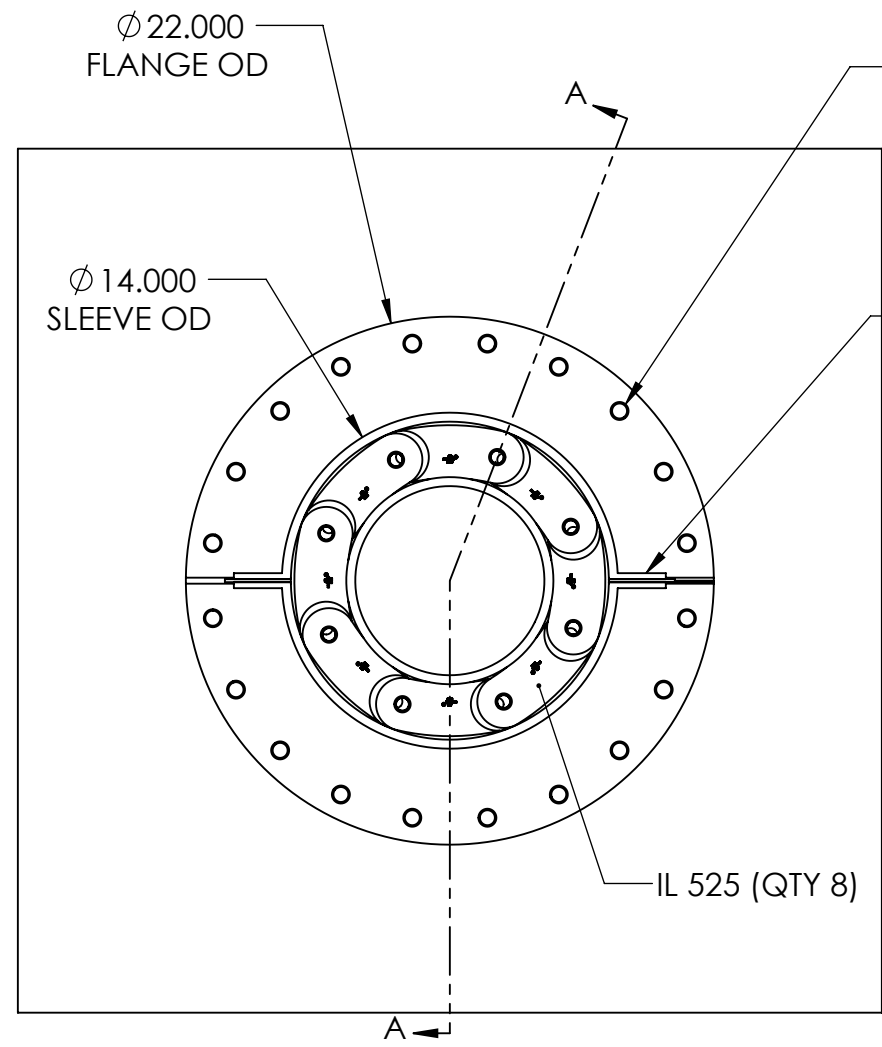


4

3

2

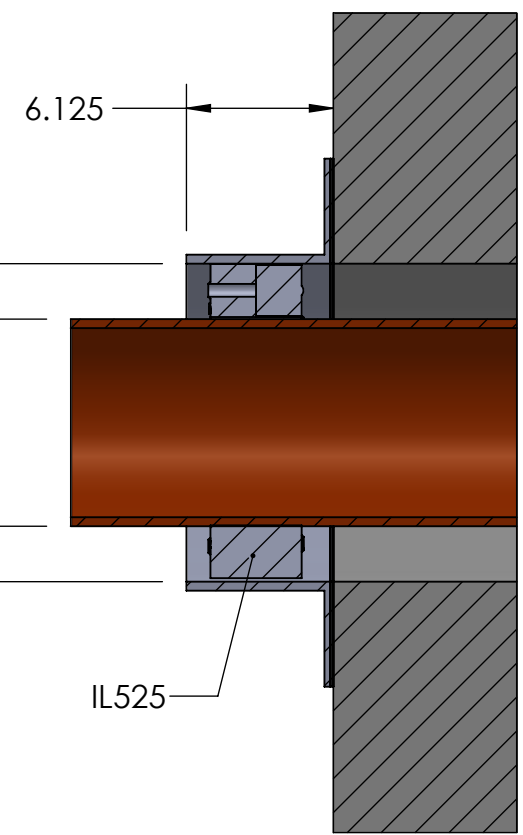
1



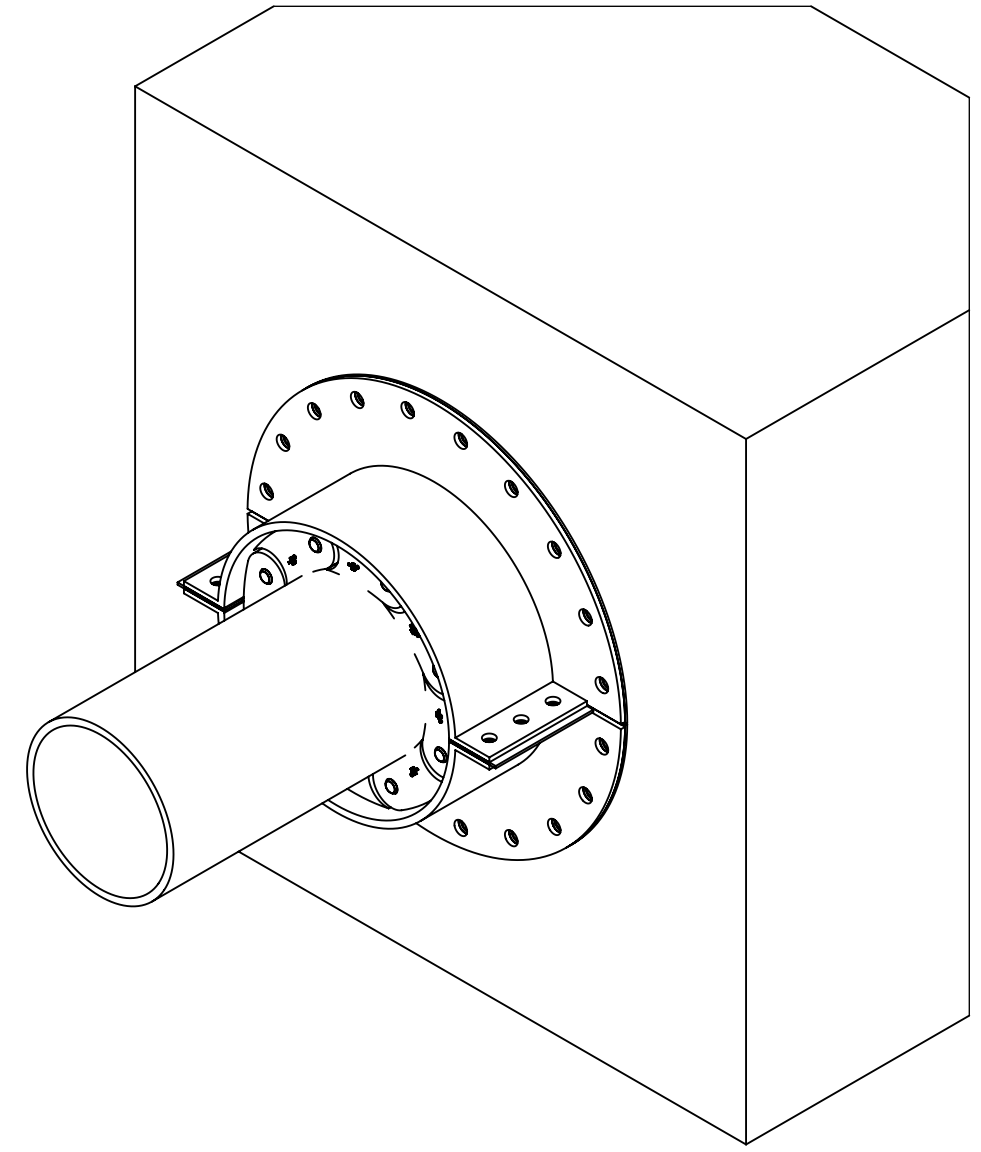
5/8"-11 X 4.25"
TRUBOLT ANCHORS
20 QTY

1/2" x 1" HARDWARE

IL 525 (QTY 8)



SECTION A-A SCALE 1 : 8



MATERIALS: 304 STAINLESS STEEL

DIMENSIONS ARE IN INCHES	DRAWN	NAME	DATE
SCALE: 1:32	CHECKED	DAD	03/20/20
		JEW	03/20/20

aps Advance
 Products & Systems
 P.O. Box 60399
 Lafayette, La. 70578-0399
 Ph.# (337)233-6116 Fax# (337)232-3860

EXTERNAL MOUNT SPLIT WALL SLEEVE

PROPRIETARY AND CONFIDENTIAL
 THE INFORMATION CONTAINED IN THIS DRAWING IS THE SOLE PROPERTY OF ADVANCE PRODUCTS & SYSTEMS. ANY REPRODUCTION IN PART OR AS A WHOLE WITHOUT THE WRITTEN PERMISSION OF ADVANCE PRODUCTS & SYSTEMS IS PROHIBITED.

SIZE	DWG. NO.	REV
B	14" S40 SS SPLIT SLV	
		SHEET 1 OF 1

4

3

2

1

B

B

A

A