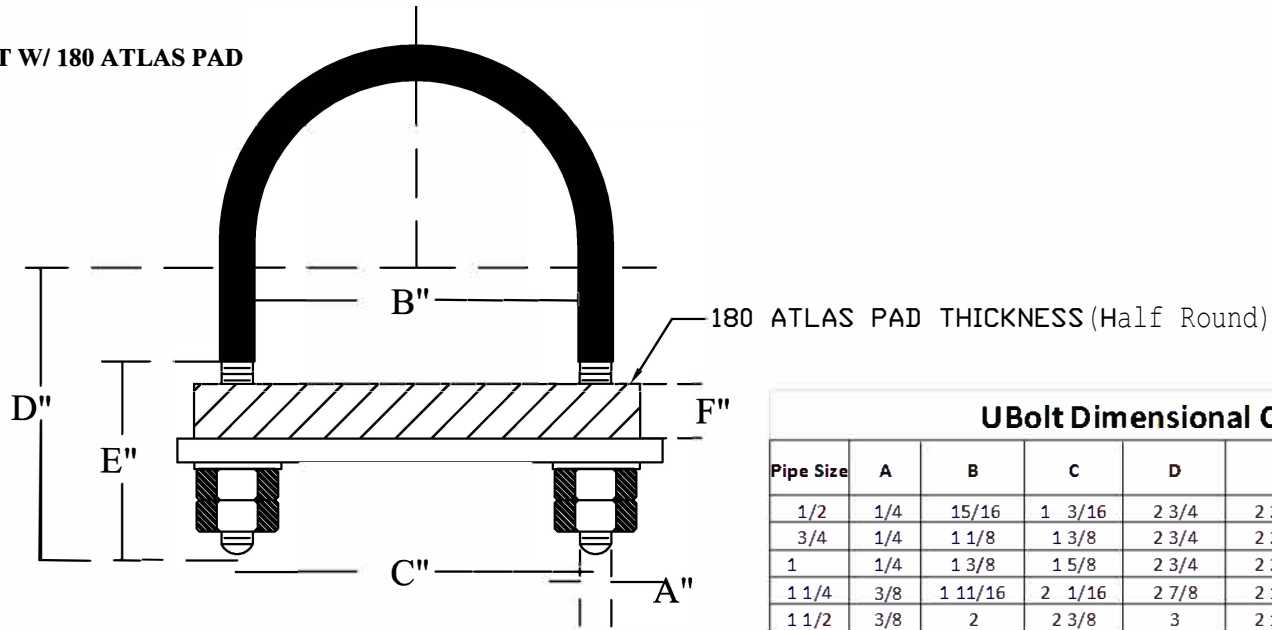


APS Coated U-BOLT

MODEL : APS COATED UBOLT W/ 180 ATLAS PAD

4 NUTS 2 LOCK WASHER



UBolt Dimensional Chart

Pipe Size	A	B	C	D	E	F	Weight Per 100
1/2	1/4	15/16	1 3/16	2 3/4	2 3/8	3/8	11
3/4	1/4	1 1/8	1 3/8	2 3/4	2 3/8	3/8	13
1	1/4	1 3/8	1 5/8	2 3/4	2 3/8	3/8	14
1 1/4	3/8	1 11/16	2 1/16	2 7/8	2 1/2	1/2	38
1 1/2	3/8	2	2 3/8	3	2 1/2	1/2	39
2	3/8	2 7/16	2 13/16	3 1/8	2 1/2	1/2	42
2 1/2	1/2	2 15/16	3 7/16	3 3/4	3	1/2	90
3	1/2	3 9/16	4 1/16	4	3	1/2	99
3 1/2	1/2	4 1/16	4 9/16	4 1/4	3	1/2	105
4	1/2	4 9/16	5 1/16	4 1/2	3	1/2	115
5	1/2	5 5/8	6 1/8	5	3	1/2	128
6	5/8	6 3/4	7 3/8	6 1/8	3 3/4	1/2	239
8	5/8	8 3/4	9 3/8	7 1/8	3 3/4	1/2	283
10	3/4	10 7/8	11 5/8	8 3/8	4	3/4	479
12	7/8	12 7/8	13 3/4	9 5/8	4 1/4	3/4	764
14	7/8	14 1/8	15	10 1/4	4 1/4	3/4	820
16	7/8	16 1/8	17	11 1/4	4 1/4	3/4	870
18	1	18 1/8	19 1/8	12 5/8	4 3/4	3/4	1350
20	1	20 1/8	21 1/8	13 5/8	4 3/4	3/4	1460
24	1	24 1/8	25 1/8	15 5/8	4 3/4	3/4	1710
28	1	28 1/8	29 1/8	17 5/8	4 3/4	3/4	1800
30	1	30 1/8	31 1/8	18 5/8	4 3/4	3/4	1910
36	1	36 1/8	37 1/8	21 5/8	4 3/4	3/4	2320

THIS DRAWING AND PROPRIETARY DESIGN IS SOLELY THE PROPERTY OF ADVANCE PRODUCTS & SYSTEMS, INC. AND IS SUBMITTED WITH THE UNDERSTANDING THAT IT WILL BE KEPT IN STRICT CONFIDENCE. COPYRIGHT PROTECTED ©.

	Advance Products & Systems P.O. Box 60399 Lafayette, La. 70578-0399 Ph# 832-275-0105		
	U-BOLT		Drawn by: KL Approved by: MAR
	Rev.# A	Dwg.# 01	Date : 8/22/18
	Part# : UBOLT Project : PIPELINE PRODUCTS SPEC.		