

ADVANCE PRODUCTS & SYSTEMS

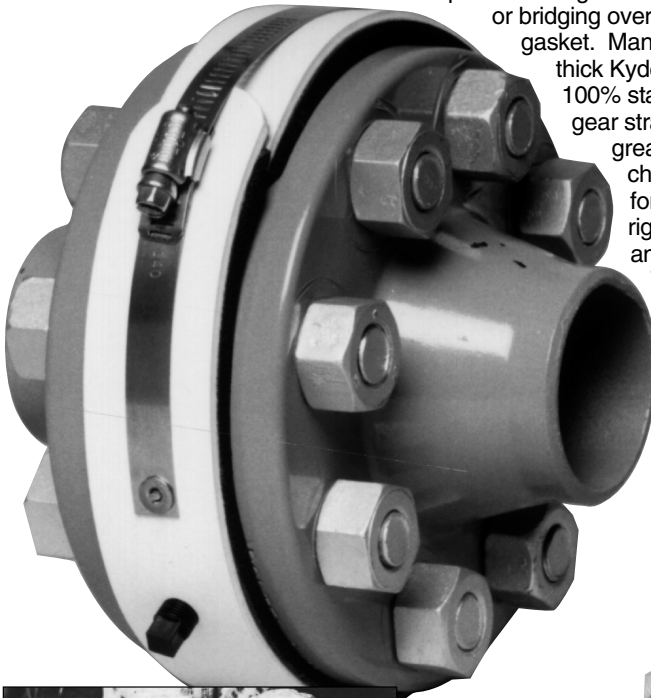
FLANGE PROTECTORS



FLANGE PROTECTORS & RADOLID PROTECTION CAPS

MODEL 7500 SERIES NON-METALLIC

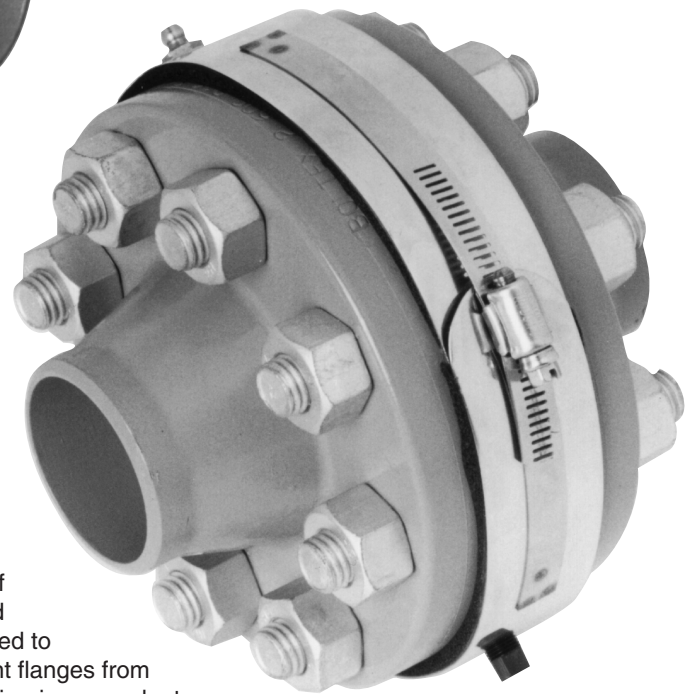
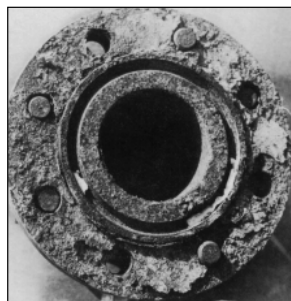
The 7500 series is designed mainly for use on cathodically insulated flanges to prevent foreign matter from shorting out or bridging over an insulating gasket. Manufactured of .080 thick Kydex plastic band with 100% stainless steel worm-gear strap, rivets and grease fittings, it meets chemical resistance for Class 12454-C, rigid PVC materials and is UV resistant. The maximum operating temperature is 400°F.



CORROSION COSTS MONEY

The pictures above and below show the typical effects of corrosion on flanges encountered in salt water, salt air and atmospheric corrosion. APS flange protectors are designed to protect studs and gaskets on raised face and ring type joint flanges from atmospheric corrosion encountered in chemical plants, refineries, gas plants, offshore platforms, onshore oil fields, ships, paper mills and underground pipelines.

Everyone is concerned with controlling corrosion and aware of its damaging effects. With the use of APS Flange Protectors and Corrosion Inhibitor Grease, flanges remain safe from hazardous and unsightly corrosion that can cause leakage, failure, or even shutdown of equipment. The down time, coupled with the cost of cutting and welding a new flange, replacing flange bolts, nuts and seals, becomes very expensive.



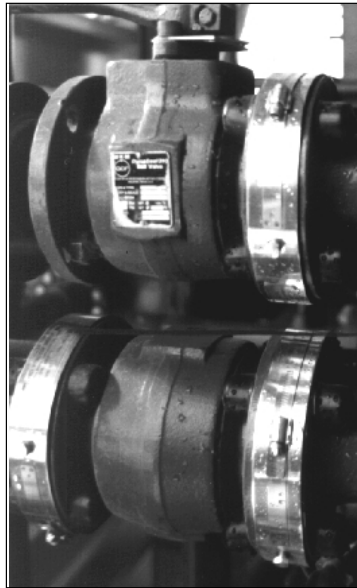
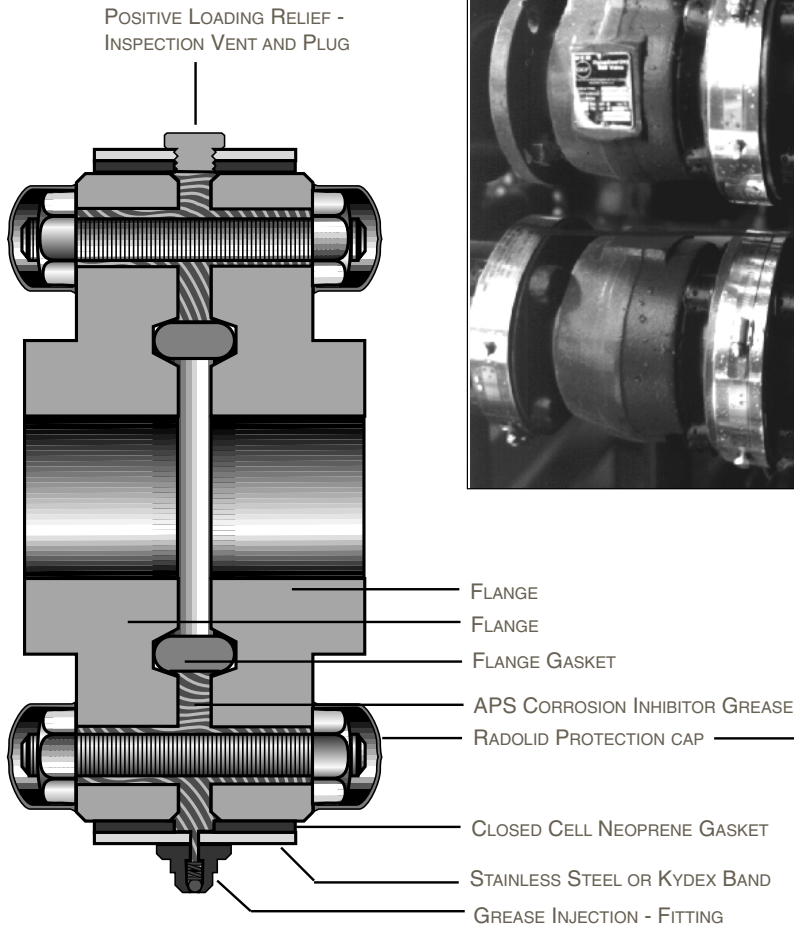
MODEL 7100 SERIES STANDARD COUPLING

The 7100 Series is manufactured of 22 gauge 304L or 316L stainless steel band, stainless steel worm-gear strap, and grease fitting. This standard coupling is practically indestructible and is appropriate where temperatures are high.

FLANGE PROTECTORS & RADOLID PROTECTION CAPS



CROSS SECTION



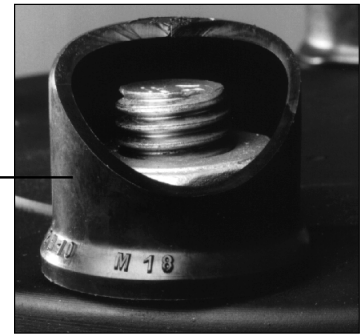
Kydex with worm-gear fastener



Stainless-steel with worm-gear fastener



Stainless-steel with "T"-type fastener



RADOLID PROTECTION CAPS

All APS Flange Protectors have an exclusive positive loading relief vent and plug that assures complete loading of flange cavities, plus allows you to visually inspect the flange without removing the protector.

The gasket is made of 3/16" closed cell neoprene for positive seal. (Other gasket material available on request.)

AVAILABILITY

APS presently manufactures Flange Protectors to fit all ANSI flanges 150# series to 2500# series, from 1/2"

diameter to 42" diameter. Also available are Flange Protectors to fit API 2000# to 15,000# flanges, API Integral flanges and API obsolete flanges. APS maintains the largest stock available in all sizes, ready for immediate shipment.

All Flange Protectors from 1/2" to 6" diameter are manufactured on 1 1/2" wide band. The 8" to 42" diameter are on a 2 1/2" wide band, with extra grease fittings installed on all large diameter flange protectors. Both models are available in large flange sizes, over 42" in diameter, and also extra wide widths over 2 1/2".

Radolid Protection Caps are used to eliminate corrosion of nuts and bolts thus allowing easy unbolting when necessary. These caps are easily installed by pressing-on to the bolted joint by hand. The barbed edge snaps on and prevents the caps from accidentally being knocked off. Manufactured of high density black UV-resistant polyethylene these caps are reusable and will keep nuts and bolts corrosion free for years. (APS recommends loading one quarter of the cap with APS high melt corrosion inhibitor grease for added protection.)

Ordering Information:

FLANGE PROTECTORS

- Flange size
- Pressure rating

RADOLID PROTECTION CAPS

- Bolt diameter
- Special length caps, if required
- Colors other than black

CORROSION INHIBITOR GREASE

- 14 oz cartridge
- 35 lb pail
- 120 lb drum

OTHER QUALITY PRODUCTS AVAILABLE:

- Flange Insulating Gasket Kits
- Foreman Night Caps
- Radolid Nut & Bolt Protective Caps
- U-Bolt Cote
- Casing Insulators & End Seals
- Duocon Centralizers
- ISOJOINT® - Monolithic Insulating joint
- Safety Spray Shields
- Innerlynx® - Wall/Pipe Penetration Seals



ADVANCE PRODUCTS & SYSTEMS, INC.

P.O. Box 60399
Lafayette, Louisiana 70596-0399
337-233-6116
FAX 337-232-3860
E-mail: sales@advprod.com
Website: www.advprod.com

Distributed By

